

GREEN INNOVATION FOR THE OCEAN

RAVEN OPERATOR CHAIR

COMFORTABLY IN CONTROL



norwegian
electric systems



norwegian
electric systems



DESCRIPTION

The Raven Operator Chair is a flexible and modular chair solution suitable for various integrations from a simple mounting of a trackball up to complete Thruster Control, DP, ROV, crane or other demanding operations.

The Raven Operator chairs are electrically operated and are suitable either as “stand alone” units or installed on electric operated deck rails and with options for electric rotation of the chair.

Normal delivery of Raven Operator Chair contains:

Left armrest: INS Mode Selector panel and Heading wheel

Right armrest: INS Trackball and 13.3” panel PC for remote control of Raven INS.

Size Options - Armrest modules

There are 3 different size options for the Raven Operator Chair. This is done by offering various solutions for the armrests. The armrests are made according to customer requirements and have space for a number of components like Trackballs, Mode selector panels, Scrolling wheels, Levers, Joystick etc.

0100 Narrow

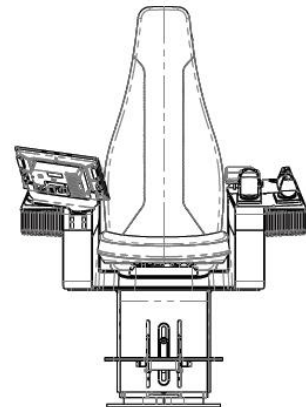
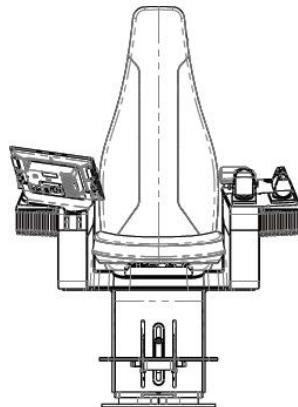
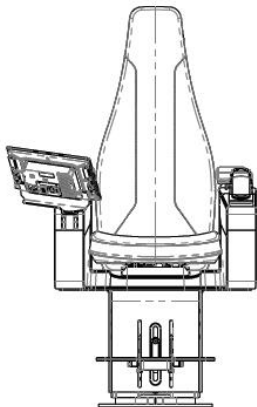
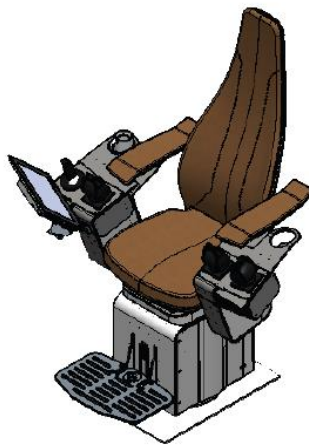
The slimmest solution with place for one component in each armrest.
The width of the chair is only 804 mm.
Monitor bracket is possible at both armrests.

0150 Standard

The standard solution has place for two components in each armrest.
The width of the chair is 1139 mm.
Monitor bracket is possible at both armrests.

0200 Large

The large solution has place for three components in each armrest.
The width of the chair is 1137 mm.
Monitor bracket is possible at both armrests.



0100 Narrow

0150 Standard

0200 Large

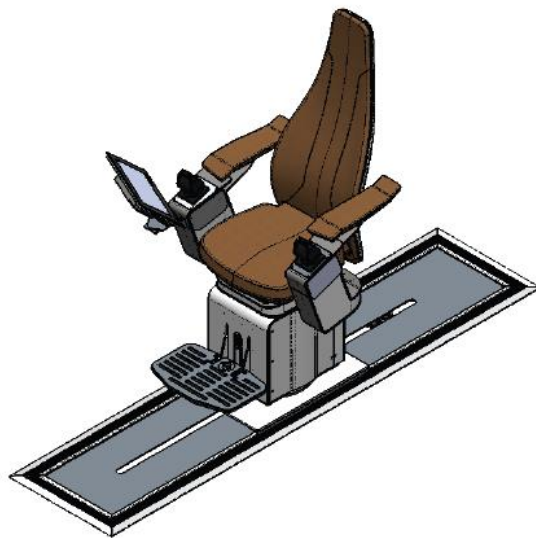
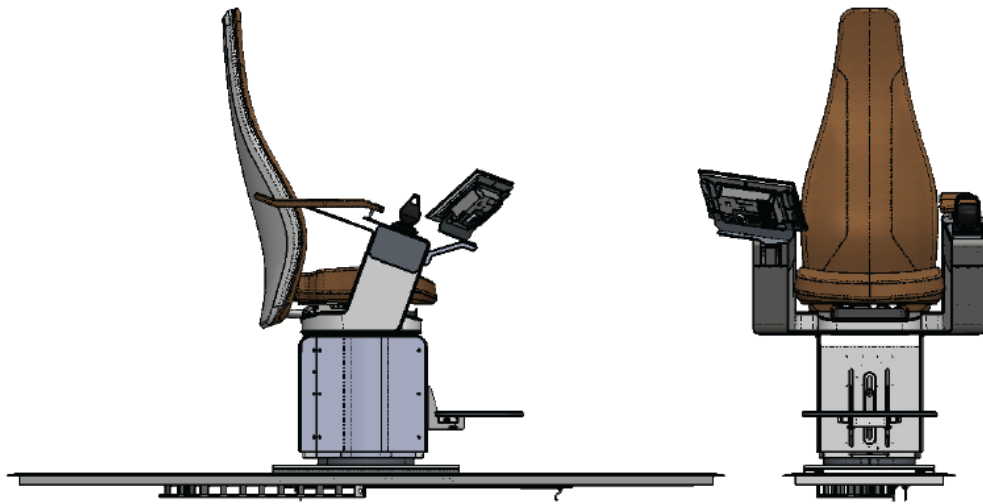
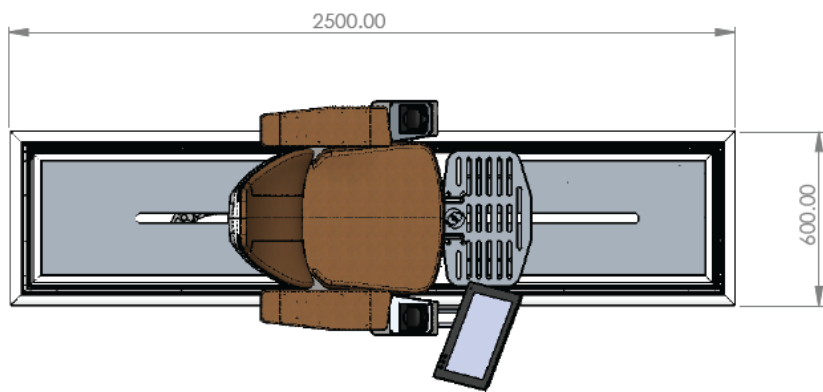
Design and features

- Modular & Flexible solution
- Reclining back rest
- Adjustable height
- Adjustable lumbar support
- Electrical adjustment of sitting height
- Electric height adjustment of footrest
- Fold up footrest
- Concealed and protected cabling

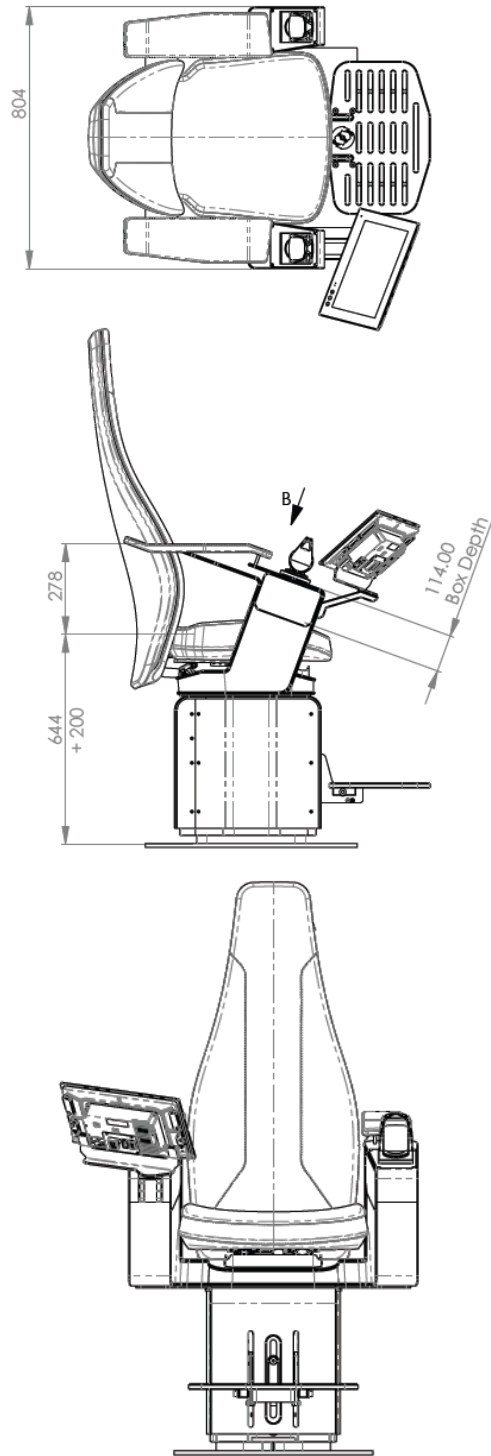
Options

- Electric driven deck rail L= 1500mm
- Electric driven deck rail L= 2000mm
- Electric driven deck rail L= 2500mm
- Interface box (Integrated in deck rail)
- Flexible microphone in left headrest
- 6-Way electric adjustable chassis
 - Seat height – Up/Down
 - Seat and backrest – Fwd/Aft
 - Front lift of seat – Up/Down
 - Rear lift of seat – Up/Down
 - Backrest tilt – Fwd/Aft
 - Seat length – Fwd/Aft
- Electric rotation at the bottom
- Levers for maneuvering & DP Joystick
- Seat slide available (if not 6-way el adjustment)

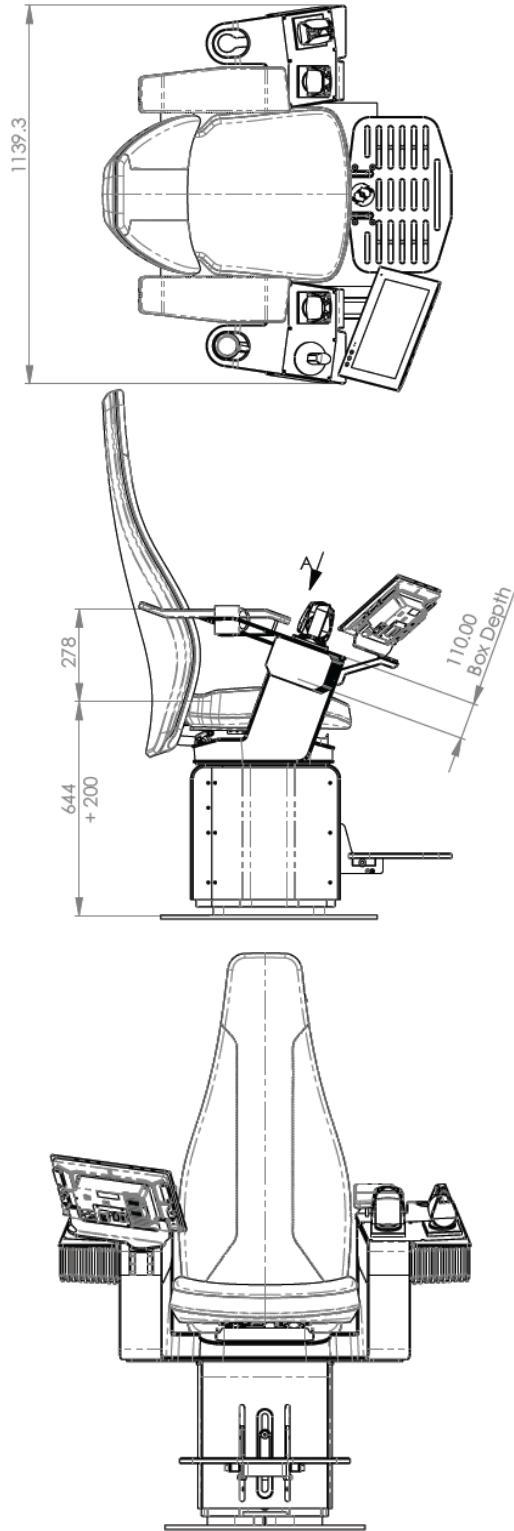




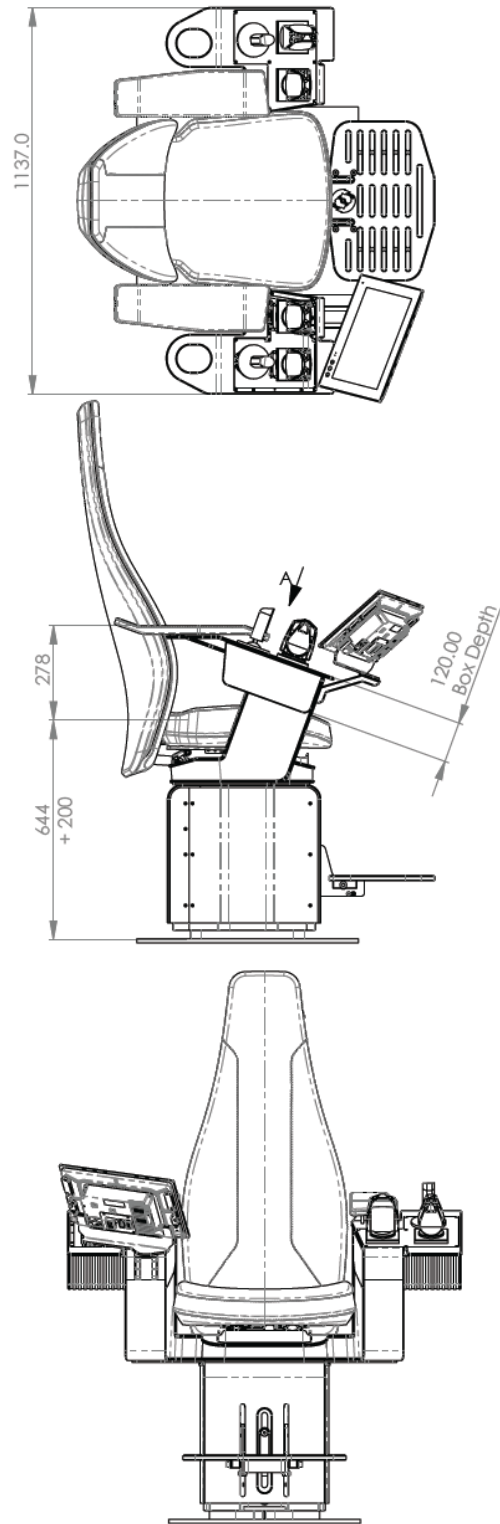
0100 Narrow – Dimensional scetch



0150 Standard – Dimensional scetch



0200 Large – Dimensional scetch





RAVEN OPERATOR CHAIR

The Raven is regarded as a smart and intelligent bird, and its importance to the Vikings is shown by how often the bird's image is used – often painted on their sails.

Odin, called the Raven God had two ravens, Huginn and Muninn.